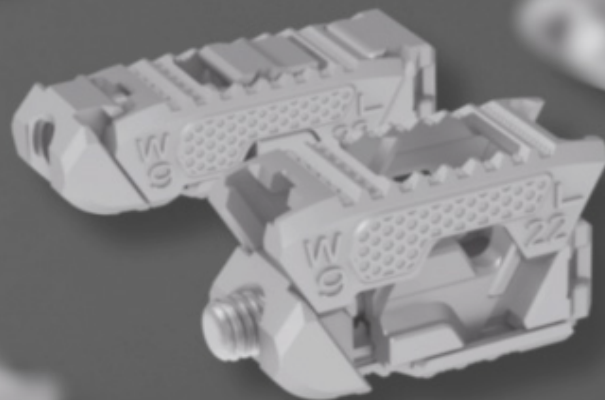
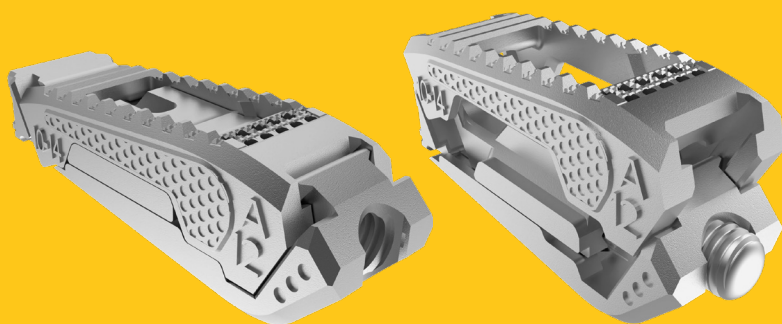


KLIMT™

3D Printed Expandable Lumbar Interbody Fusion Cage System

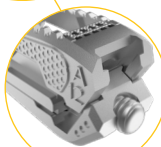
KLIMT™ Expandable LIF Cage System are 3D-printed titanium lumbar interbody fusion implants for posterior and transforaminal approach to thoracolumbar disease. The implant is designed to accommodate a wide range of patient anatomies and surgical preferences.



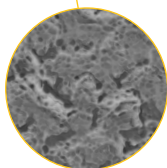
SYSTEM FEATURES



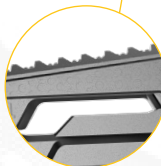
Minimized insertion height allows for reduced tissue disruption and nerve retraction



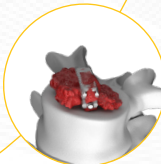
Gradual vertical expansion adjusts between (0-4mm) -or- (0-6mm) based on the minimized insertion height and leads to less endplate disruption



Micro "3D Porous" Texture enhances bone interdigitation



Macro "Serrated" Surface prevents cage migration



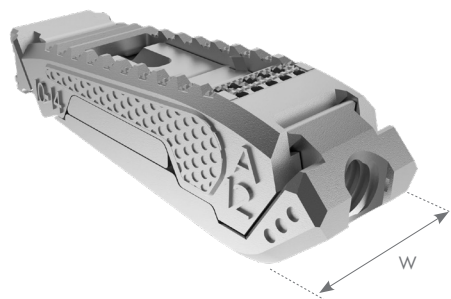
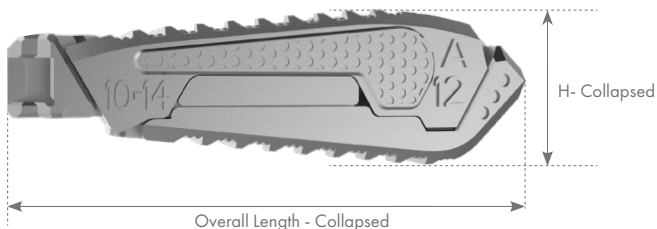
Large Bone Graft Window provides maximum volume for bone graft packing



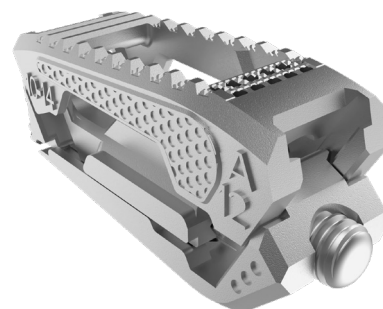
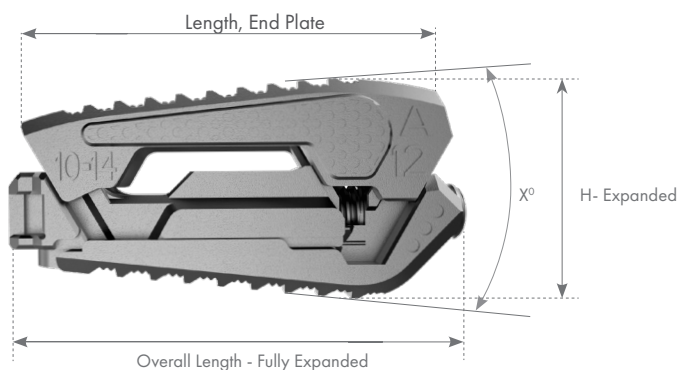
KLIMT™ LIF SYSTEM SPECIFICATIONS



Collapsed Implant



Expanded Implant



Size	Width	Length		Height	Angle	Part Number	Overall Length	
		End Plate	Range				Collapsed	Expanded
W9xL22	9	22	8-12mm	6°	S.367.1103	28.5	25	
	9	22	10-16mm	6°	S.367.4105	28.5	25	
	9	22	9-13mm	12°	S.367.1304	28.5	25	
	9	22	11-17mm	12°	S.367.4306	28.5	25	
	9	22	10-14mm	15°	S.367.1405	28.5	25	
	9	22	12-18mm	15°	S.367.4407	28.5	25	
	9	22	11-15mm	18°	S.367.1506 **	28.5	25	
W9xL24	9	24	8-12mm	6°	S.367.1113 **	30.5	27	
	9	24	10-16mm	6°	S.367.4115 **	30.5	27	
	9	24	10-14mm	12°	S.367.1315 **	30.5	27	
	**Additionally Available	9	24	12-18mm	12°	S.367.4317 **	30.5	27
	9	24	11-15mm	15°	S.367.1416 **	30.5	27	
W11xL22	9	24	11-15mm	18°	S.367.1516 **	30.5	27	
	11	22	8-14mm	0°	S.367.5003	28.5	25	
	11	22	8-12mm	6°	S.367.2103	28.5	25	
W11xL28	11	22	10-16mm	6°	S.367.5105	28.5	25	
	11	28	8-14mm	0°	S.367.5033	34.5	31	
	11	28	8-12mm	6°	S.367.2133	34.5	31	
	11	28	10-16mm	6°	S.367.5135	34.5	31	

